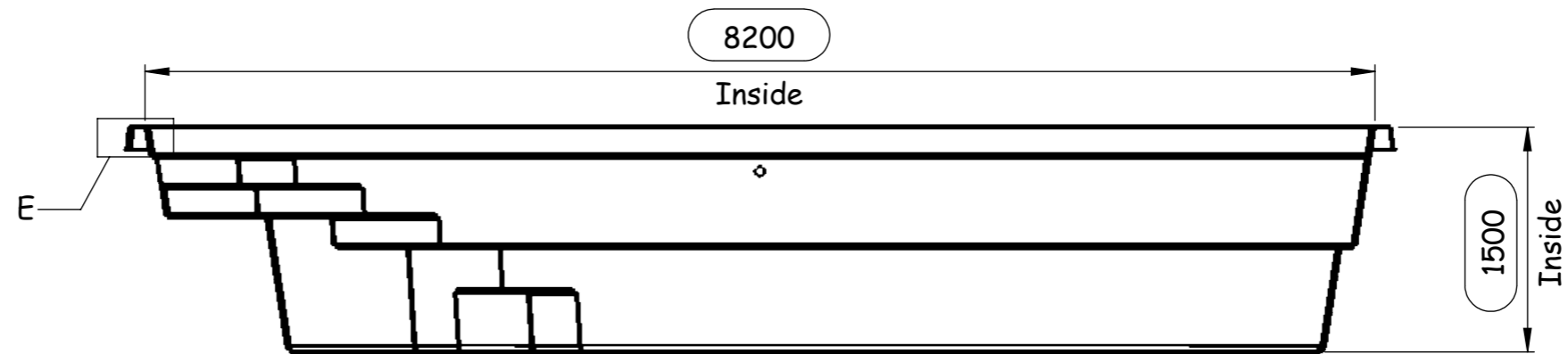
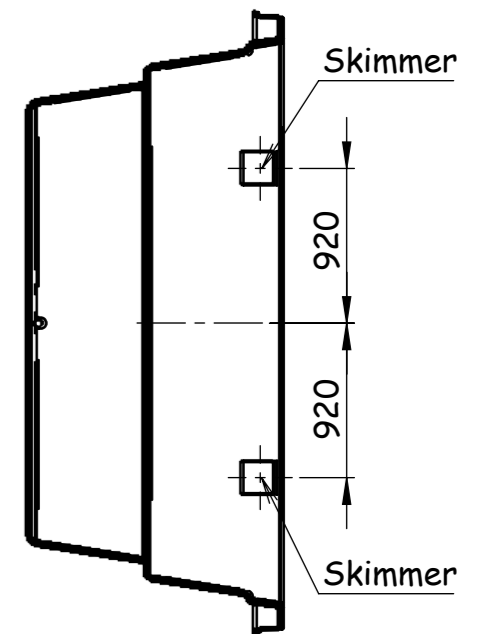
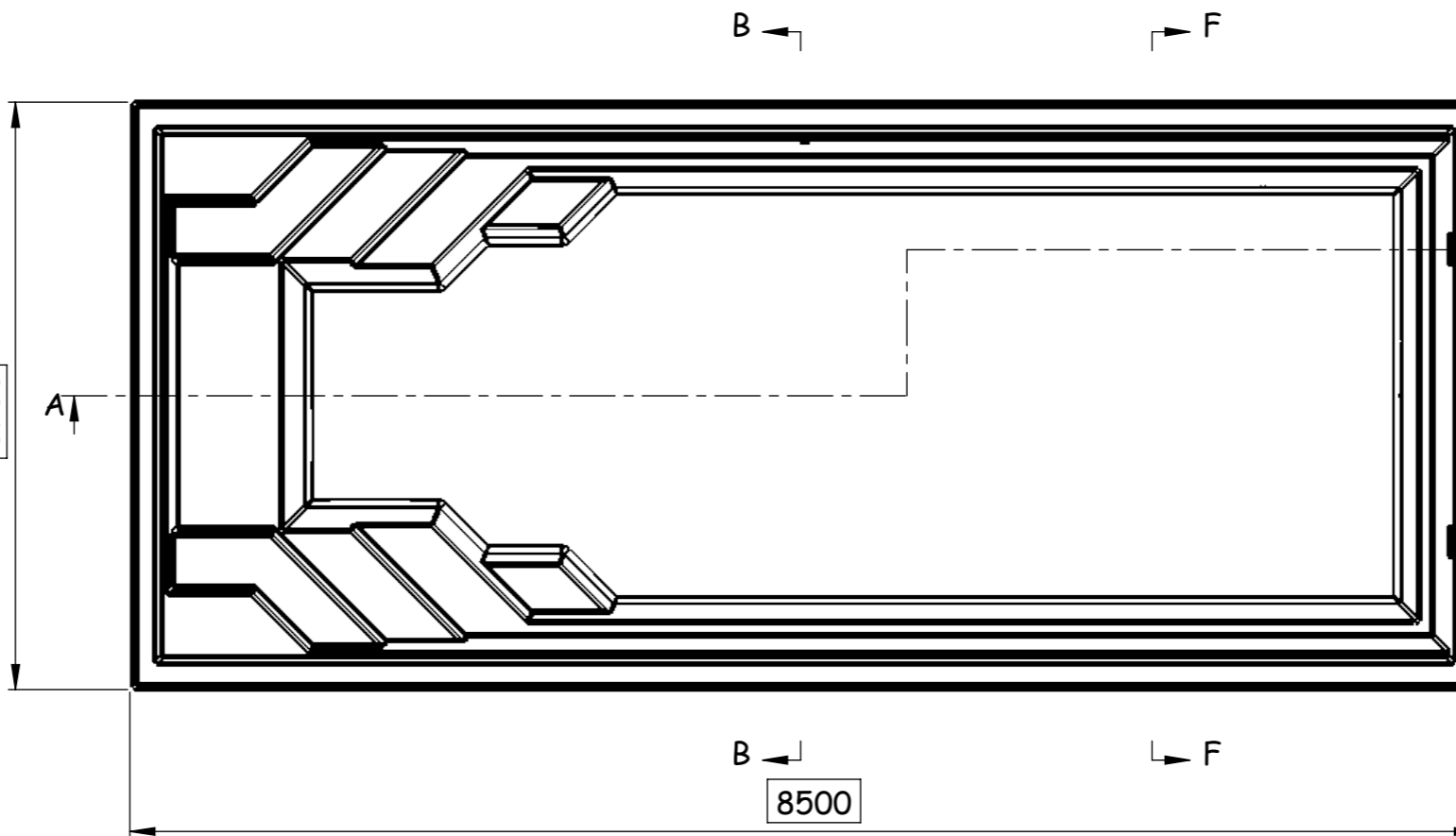
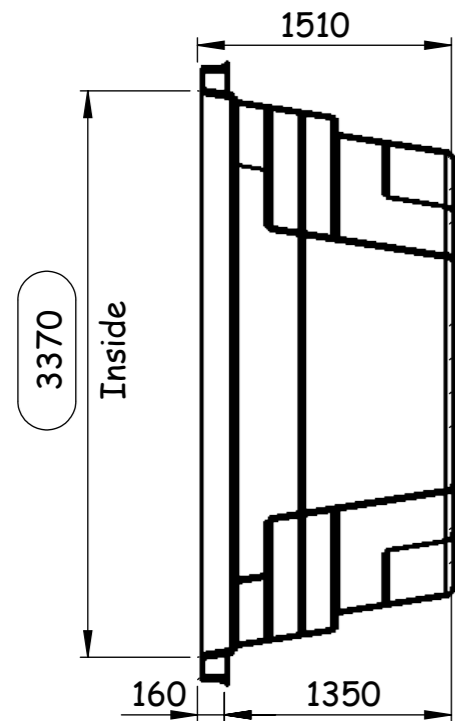


SECTION A-A

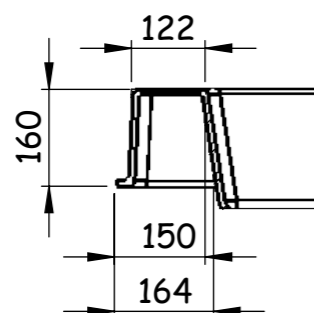


SECTION B-B



SECTION F-F

DETAIL E
SCALE 2 : 25



Material: FIBER GLASS		This drawing and any information or descriptive material set out on it are the confidential and copyright property of UAB ODNA . © and MUST NOT BE DISCLOSED, COPIED, LOANED in whole or part or used for any purpose without the written permission of UAB ODNA .	Description: WANAKA 850	
Finish: Polished			Drawn by: Ruslanas Ivanovas	Drawn Date: 2024-04-25
Unless Otherwise Stated: Linear Tol.: ±0.2, Angular Tol.: 0°15' Surface Finish: 0.8µm All Dimensions: mm			Checked/Approved by: Ruslanas Ivanovas	Checked/Approved Date:
Drawing Scale: 1:45		Document Type: Manufacturing		Part Number: Wanaka850
Approx Weight: Kg	Drawing Produced In Accordance With: ISO 9001	Legal Owner: TILESTONE POOLS & SPA'S ODNA, Dainavos g. 5-31, LT-01400 Vilnius		Drawing Number:
Projection Method: THIRD ANGLE		Sheet Size: A3		Sheet: 1 of 1
				Revision: